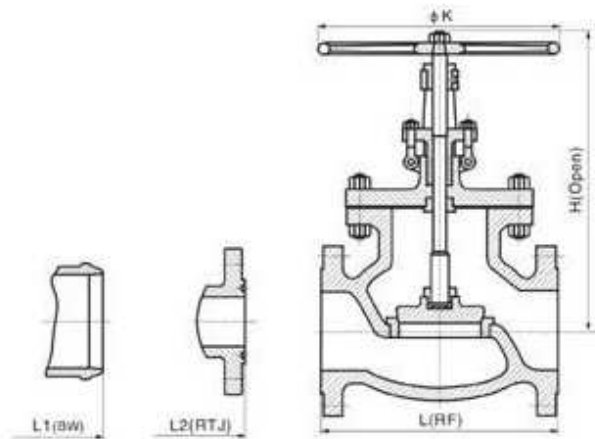




CLASS 150~1500 CAST STEEL GLOBE VALVE



**Features:**

**CLASS 150~1500 CAST STEEL GLOBE VALVE**

OS&Y,Rising stem,Plug Disc

Bolted Bonnet,Threaded or welded seat ring

ASTM A216 WCB,A217 WC6,A351 CF8,A351 CF8M,

A351 CF3,A351 CF3M,A351 CN7M

**Standards compliance**

Design and Manufacture: ANSI B16.34,BS1873

Face tu face(end tu end): ANSI B16.10

Flanged connection: to ANSI B16.5

Butt welded end: ANSI B16.25

Test and inspection: API598



A.Anti-friction ball thrust bearing: Reduces friction between mating parts to ensure smooth operation

B.Grub screw: Secures yoke nut in the bonnet

C.Grease nipple: Supplies lubricant to the mating parts

Materials					
NO.	Part name	Material			
18	Grub screw	Carbon steel			
17	Hand wheel nut	Carbon steel			
16	Hand wheel	Carbon steel			
15	Eye bolt and nut	A 193 B7/A194 4~A193 B8/A194 8			
14	Pin	Carbon steel/SS			
13	Stem nut	A 439-D2/cu-alloy			
12	Gland flange	Carbon steel			
11	Gland bush	Stain steel			
10	Back seat	Stain steel			
09	Pisc nut	CS+SS/SS/SS+STL			
08	Stem	Stain steel			
07	Seat ring	See body mterial			
06	Disc				
NO.	Part name	WCB	LCB	WC6	WC9
05	Stud and nut	A193 Gr B7/A194 Gr 2H	A320 Gr L7/A194 Gr 4	A193 Gr B16/A194 Gr 4/7	A193 Gr B16/A194 Gr 4/7
04	Gland Packing	Graphite	Graphite	Graphite	Graphite
03	Gasket	Spiral wound/Soft Iron	Spiral wound/Soft Iron	Spiral wound/SS304	Spiral wound/SS304
02	Bonnet	A216 Gr WCB	A352 Gr LCB	A271 Gr WC6	A271 Gr WC9
01	Body	A216 Gr WCB	A352 Gr LCB	A271 Gr WC6	A271 Gr WC9
NO.	Part name	C5	C12	CF8	CF8M
05	Stud and nut	A193 Gr B16/A194 Gr 4/7	A193 Gr B16/A194 Gr 4/7	A193 Gr B16/A194 Gr 4/7	A193 Gr B7/A194 Gr 2H
04	Gland	Graphite	Graphite	Graphite	Graphite



	Packing				
03	Gasket	Spiral wound/Soft Iron	Spiral wound/Soft Iron	Spiral wound/SS304	Spiral wound/SS316
02	Bonnet	A217 Gr C5	A217 Gr C12	A351 Gr CF8	A351 Gr CF8M
01	Body	A217 Gr C5	A217 Gr C12	A351 Gr CF8	A351 Gr CF8M

**CLASS 150~1500 CAST STEEL GLOBE VALVE**

Dimensions													
Class 150													
Size	inch	2	2-1/2	3	4	5	6	8	10	12	14	16	18
L,L1-RF,BW	mm	203	216	241	292	356	406	495	622	698	787	914	978
L2-RTJ	mm	216	229	254	305	368	419	508	635	711	800	927	991
H	mm	330	390	410	475	540	585	725	825	940	1200	1270	1300
K	mm	200	250	250	300	350	350	450	500	600	600	650	650
WT	Kg	23	29	40	59	95	115	178	268	385	540	760	1050

Dimensions													
Class 300													
Size	inch	2	2-1/2	3	4	5	6	8	10	12	14	16	
L,L1-RF,BW	mm	267	292	318	356	400	444	559	622	711	838	863	
L2-RTJ	mm	283	308	333	371	416	460	575	638	727	854	879	
H	mm	350	425	485	520	565	655	825	920	1155	1250	1295	
K	mm	200	250	300	300	350	350	500	600	700	700	450	
WT	Kg	30	45	60	83	135	162	265	375	525	765	1100	

Dimensions										
Class 600										
Size	inch	2	2-1/2	3	4	5	6	8	10	
L,L1-RF,BW	mm	292	330	356	432	508	559	660	787	
L2-RTJ	mm	295	333	359	435	511	562	664	791	
H	mm	420	490	550	590	620	700	950	1140	
K	mm	250	300	300	350	500	500	600	600	



WT	Kg	39	61	76	122	210	245	447	692
----	----	----	----	----	-----	-----	-----	-----	-----

Dimensions								
Class 900								
Size	inch	2	2-1/2	3	4	5	6	8
L,L1-RF,BW	mm	368	419	381	457	559	610	737
L2-RTJ	mm	371	422	384	460	562	613	740
H	mm	495	540	600	655	670	780	1050
K	mm	300	350	350	500	500	350	350
WT	Kg	96	79	117	178	305	355	730

Dimensions						
Class 1500						
Size	inch	2	2-1/2	3	4	6
L,L1-RF,BW	mm	368	419	470	546	705
L2-RTJ	mm	371	422	473	549	711
H	mm	550	580	625	750	925
K	mm	300	350	400	450	600
WT	Kg	116	125	145	210	475

**Gear operation suggested.Dimensions on request.**